

KEI

# KEI-3240

## IAS INTEGRATED AUTOMATION SYSTEM

Next Generation Integrated Automation System

NK, LRS, ABS, GL  
Type Approved

INTEGRATED AUTOMATION SYSTEM

PART OF ENGINE MONITOR

**Integrated Machinery and Hull part**

All the data of Machinery and Hull part can be obtained and controlled at any Visual Display Unit.

**PC to Machinery/Hull Data**

A 100Mbps Ethernet is used as network. Thus allowing PC (Personal Computer) in accommodation to connect directly. All screens of Machinery/Hull can be obtained at PC.

**Wireless LAN**

The access point for wireless LAN can be arranged in various places like the engine room. Mobile PC shall provide free access to all the Machinery/Hull screens.

**Hardcopy**

The log printer shall produce ordinary logbook and Hardcopy of all the screens. Color and Monochrome are available.

**Compact Flash Disk**

Compact Flash Disk is available as data storage. The Sea Trial Data and Chief engineer's log can be stored. Computer processing of data becomes easy.

**I/O can be installed in Any Place**

Lightweight and small profile I/O interface can be installed in any place. They can be placed inside of Main Switch Board /Group Starter Panel, that eliminates wiring cost.

**Japanese/English change over**

Language on the screen can be selected and changed between Japanese and English for each VDU (Visual Display Unit).

**Photographs in full color**

Real measured value can be superimposed on Machinery/Hull color photograph so that much more real screen can be obtained.





PART OF CARGO/BALLAST CONTROL

Highest processing speed makes Meter display as standard.

64000 full color display, photograph, Bitmap are available



LCD display

Japanese/English change over



AGU



Mouse



AGU



Mouse

Ethernet



Main Computer



Stand-by Computer

A 100Mbps Ethernet is used as network.



Compact Flash Disk

The Sea Trial Data and Chief engineer's log can be stored in Compact Flash Disk.



Intelligent I/O interface

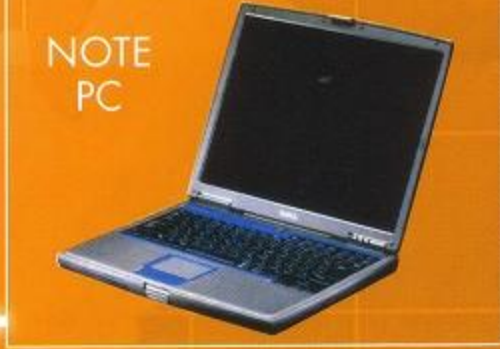


W/H



PC in accommodation to show all screens of Machinery/Hull.

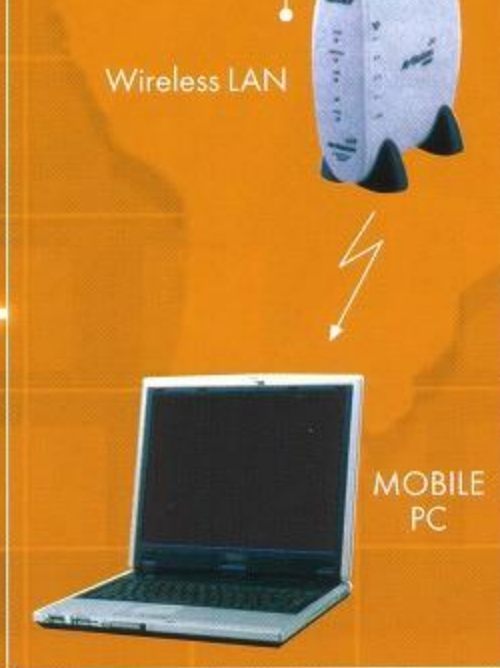
Chief Engineer's Room



NOTE PC

The access point for wireless LAN can be arranged in various places like the engine room. Mobile PC shall provide free access to all the Data Logger screens.

Engine Room

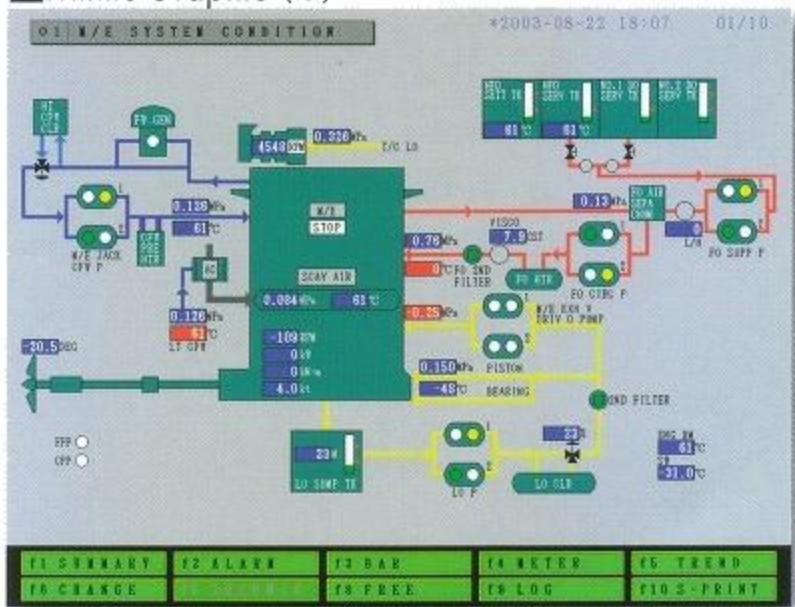


Wireless LAN

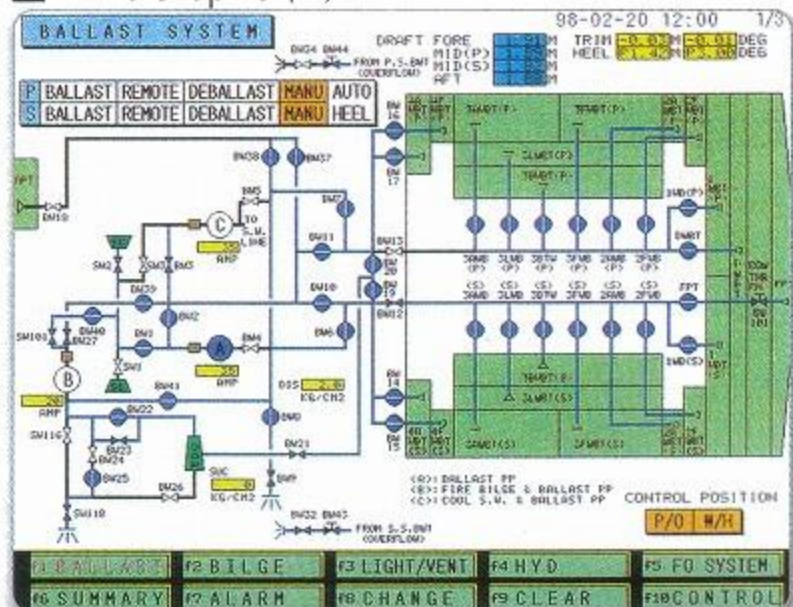
MOBILE PC

# Display Example

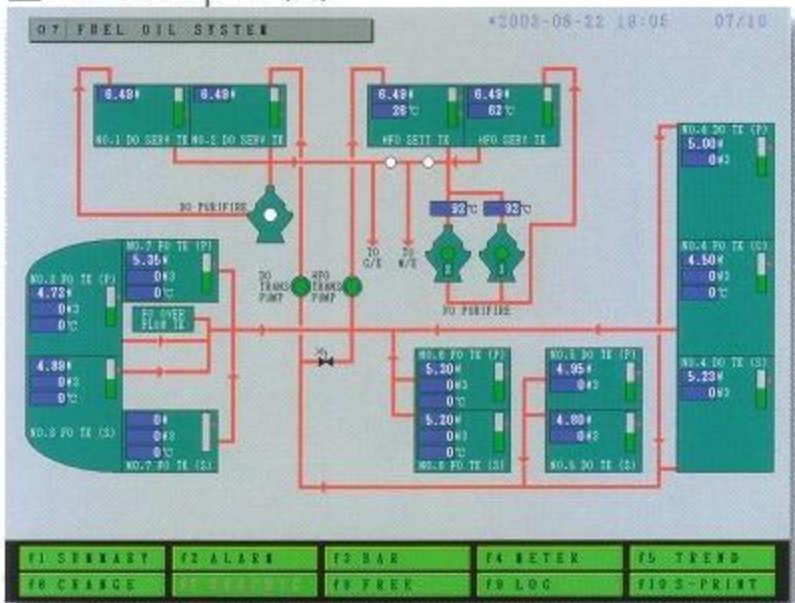
### Mimic Graphic (1)



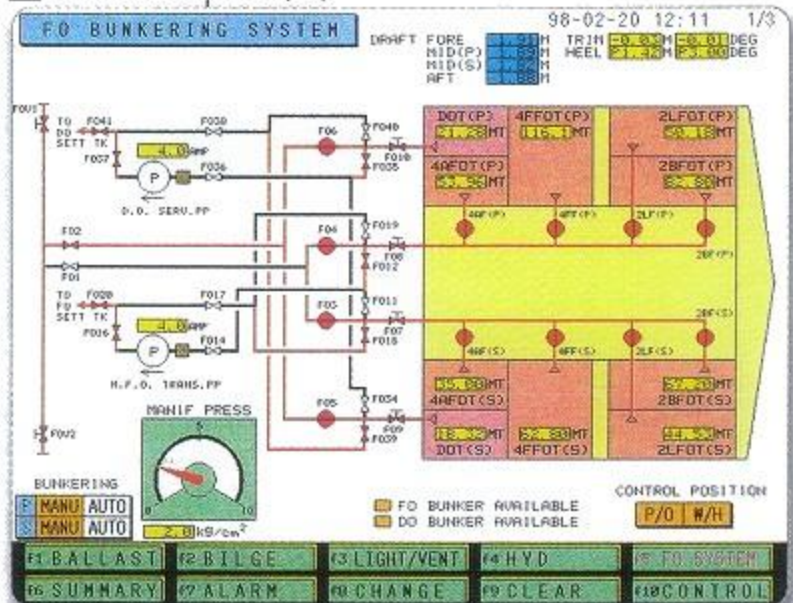
### Mimic Graphic (4)



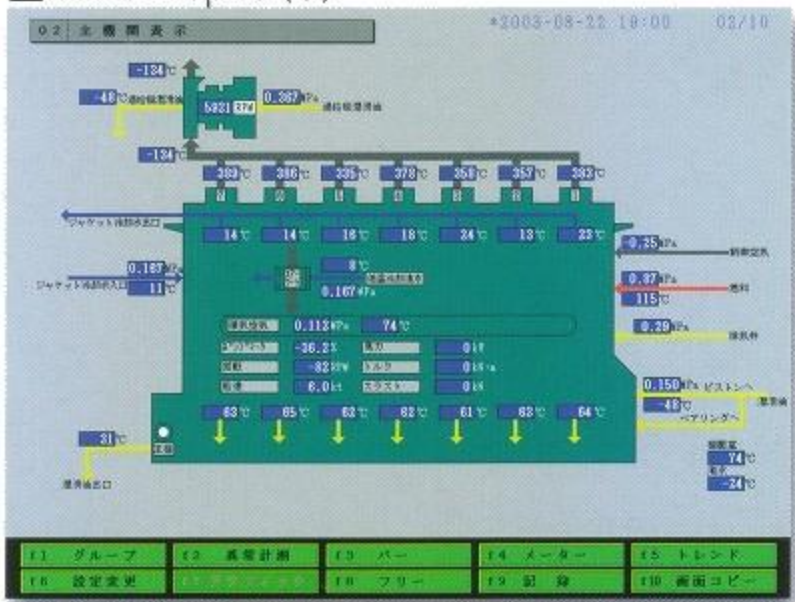
### Mimic Graphic (2)



### Mimic Graphic (5)



### Mimic Graphic (3)



### Mimic Graphic (6)



**KEI SYSTEM CO., LTD.**

1-5, 1CHOME, IKUNONISHI, IKUNO-KU, JAPAN 〒 544-0024  
TEL.81-6-712-1151 FAX.81-6-712-1311